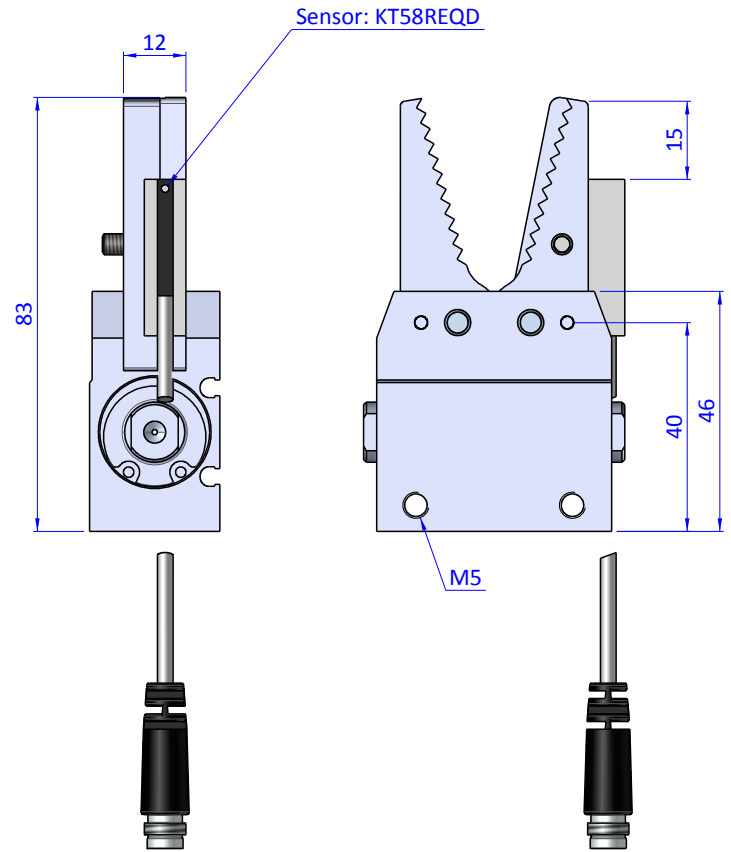
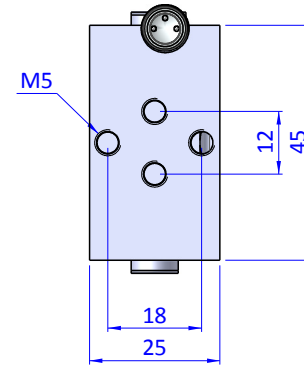
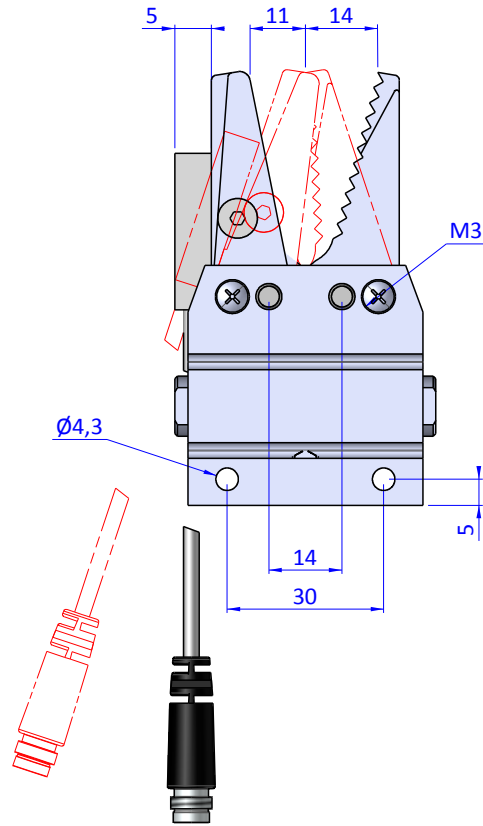
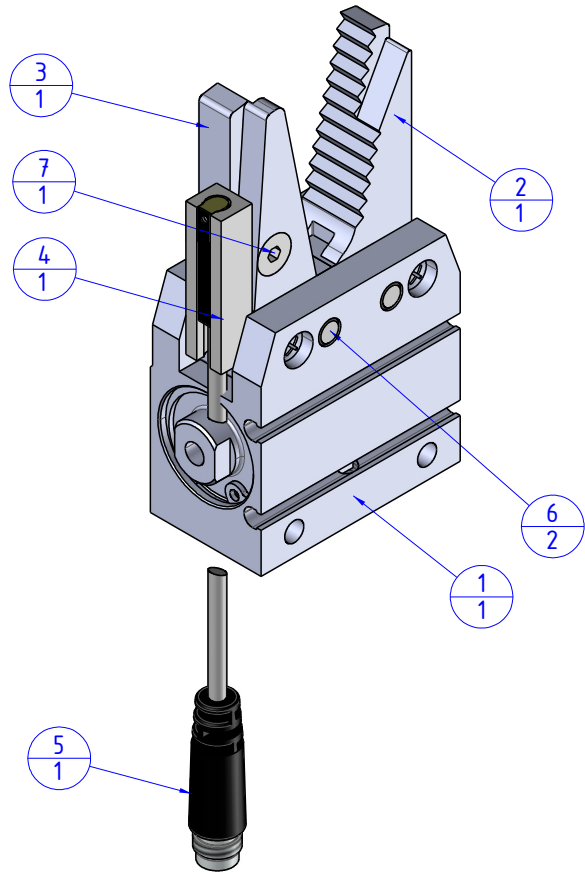



THE PROPERTY OF THE DRAWING IS ESTABLISHED BY LAW. IT IS FORBIDDEN TO PRODUCE OR SHOW IT TO THIRD PARTY, WITHOUT A WRITTEN AGREEMENT.

Item	Name	Qty
1	GZA.AA24.1	1
2	GZA.AA24.2	1
3	GZA.AA24.3	1
4	GZA.AA24.S	1
5	KT58REQD	1
6	SP.5X20	2
7	V.TSP4x16	1



Format A3

UNI 936-76

 FPS FPSERVICES AUTOMATION		DESIGNED FROM		REVIEW
		FPS Automation		A
GENERAL TOLERANCE		DATE	WEIGHT	
UNI - ISO 2768		06/06/2018	0,151kg	
CLASSE F		CODE		
		CA.GZA.AA24.NOS2		CA.GZA.AA24.NOS2